

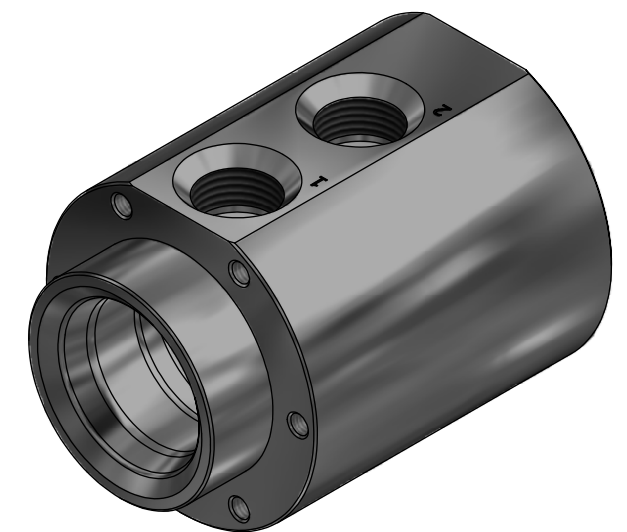
NOTE: 1
 DESIGN CODE:
 API 17H/6A

NOTE: 2
 TECHNICAL CLASSIFICATION:
 Article Type: 001-Hot Stabs
 Main Group: 1.01. Ø35 Hot Stab
 Intermediate Group: 1.1.02. Receptacle
 Sub Group: 1.1.2.02. Dual

NOTE: 3
 INTERFACE INFORMATION:
 Pressure Rating Bar: 690
 Design Water Depth: N/A
 Material: S32750 SUPER DUPLEX
 Weight: 2,3 kg
 Volume: 0,29 dm³
 Submerged Weight: 1,99 kg
 Surface Area: 434 cm²
 Hydraulic: BSP 1/2"
 Mechanical: 6xM6@PCD 66
 Electrical: N/A
 Com. & Protocol: N/A

NOTE: 4
 ADDITIONAL INFORMATION:
 The Ø35mm Blue Logic Hot Stab is made according to API 17H. This Hot Stab is in general designed for flow up to approx 25 liters pr. munute. We have pressure rating up to PSI 20K or 1380 Bar. The Hot Stab system can also be fitted with an lock-system.

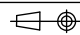
Other hydraulic port interface can be delivered on customers request.



06	2.10.2025	9-IFU (Issued for Use)	new dimensions	WTJ	HNJ	WTJ
05	25.4.2014	9-IFU (Issued for Use)		WTJ	HNJ	WTJ
04	11.2.2013	7-IFC (Issued for Construction)		LAE	HNJ	LAE
03	7.2.2013	7-IFC (Issued for Construction)		LAE	LGH	LAE
Rev.	Date	Reason for issue	Revision change	Made	Chk'd	Appr.

BLUE LOGIC 

This Drawing is the Property of Blue Logic AS © and must Not be Loaned, Reproduced or Transferred to others without written Permission

Unless Noted Otherwise:	Dwg Scale: NTS
Dim. Tol: NS-ISO 2768-1N/A	Dwg Proj: 
Roughness: RaN/A	Dwg Format: A3
Fillet Rad: Corner Rmax: N/A	Break Edges: (R. Alt. 45°) R= 0,1-0,5

Drawing title: Ø35 DP Rec 10k Interv BSP 1/2" ID8mm	Rev: 06
Drawing number: PA0174	